

Table of contents

- **Slider Plate Version**
- **Slider Solid Version**
- **Rollers for Plate Version**
- **Rollers for Solid Version**
- **Rail**
- **Button Head Screw (ISO 7380)**
- **RA Grease**
- **Adjustment Key**

Slider Plate Version

LSWL: Stainless steel body with wipers and standard steel rollers

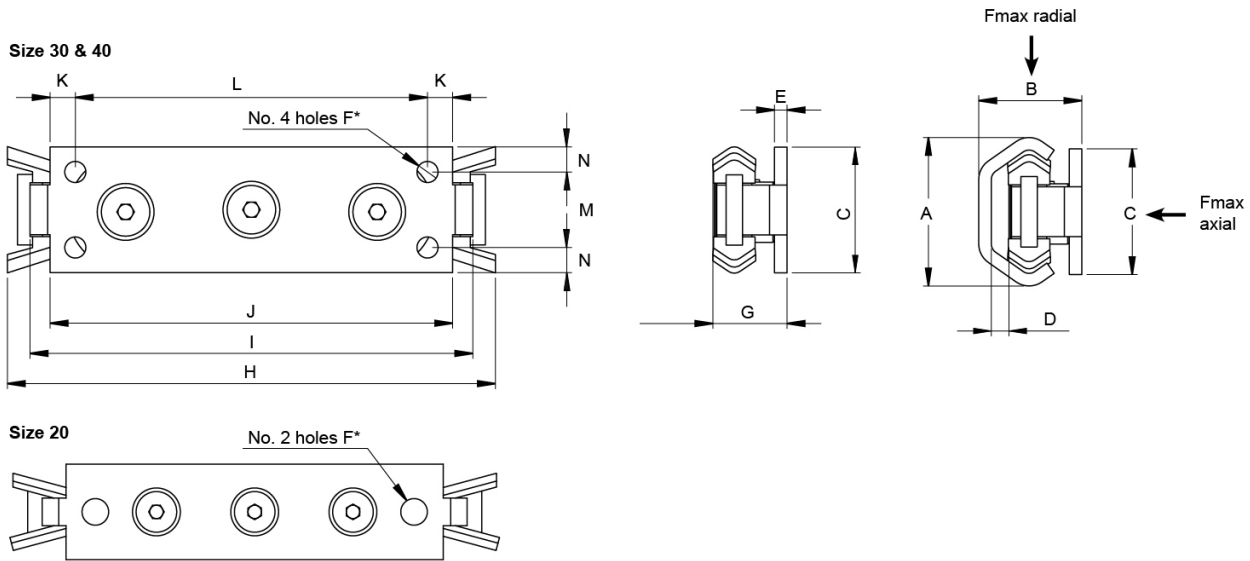
LXWL: Stainless steel body with wipers and stainless steel rollers (AISI-440C)



General Data

Designation	Weight (kg)	Max. Permissible Radial Load Fmax (N)	Max. Permissible Axial Load Fmax (N)
LSWL20-80-2Z	0.05	300	170
LSWL30-88-2Z	0.11	800	400
LSWL45-150-2Z	0.40	1600	860
LXWL20-80-2RS	0.05	300	170
LXWL30-88-2RS	0.11	800	400
LXWL45-150-2RS	0.40	1600	860

Dimensions



Designation	A	B	C	D	E	F	G	H	I
LSWL20-80-2Z	19.2	16	18	2.5	3	M5	11.5	91	80
LSWL30-88-2Z	29.5	20.5	25	3.5	2.5	M5	14.5	97	88
LSWL45-150-2Z	45.7	31.0	40	5.0	4.0	M6	22	160	150
LXWL20-80-2RS	19.2	16.0	18	2.5	3.0	M5	11.5	91	80
LXWL30-88-2RS	29.5	20.5	25	4.0	2.5	M5	14.5	97	88
LXWL45-150-2RS	45.7	31.0	40	5.0	4.0	M6	22	160	150

Designation	J	K	L	M	N
LSWL20-80-2Z	71	5.5	60	-	9
LSWL30-88-2Z	80	5.0	70	15	5
LSWL45-150-2Z	135	7.5	120	23	8.5
LXWL20-80-2RS	71	5.5	60	-	9
LXWL30-88-2RS	80	5.0	70	15	5
LXWL45-150-2RS	135	7.5	120	23	8.5

Slider Solid Version

LSBE: Stainless steel body and standard steel rollers

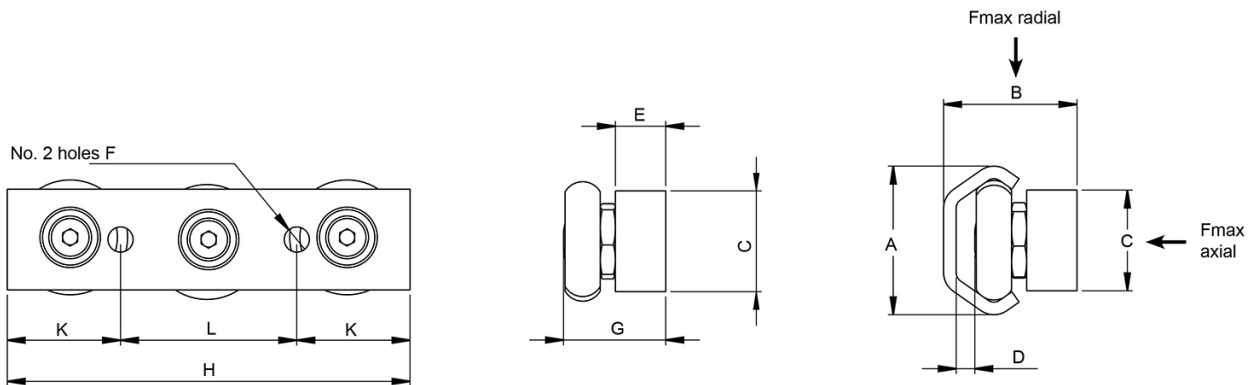
LXBE: Stainless steel body and stainless steel rollers
(AISI-440C)



General Data

Designation	Weight (kg)	Max. Permissible Radial Load Fmax (N)	Max. Permissible Axial Load Fmax (N)
LSBE20-60-2Z	0.04	300	170
LSBE30-80-2Z	0.17	800	400
LSBE45-120-2Z	0.60	1600	860
LXBE20-60-2RS	0.04	300	170
LXBE30-80-2RS	0.17	800	400
LXBE45-120-2RS	0.60	1600	860

Dimensions



Designation	A	B	C	D	E	F	G	H	K
LSBE20-60-2Z	19.2	17.8	10	2.65	6	M5	13.15	60	20
LSBE30-80-2Z	29.5	26.5	20	3.7	10	M6	20.3	80	22.5
LSBE45-120-2Z	45.7	41	30	5.1	15	M8	31.9	120	32.5
LXBE20-60-2RS	19.2	17.8	10	2.65	6	M5	13.15	60	20
LXBE30-80-2RS	29.5	26.5	20	3.7	10	M6	20.3	80	22.5
LXBE45-120-2RS	45.7	41	30	5.1	15	M8	31.9	120	32.5

Designation	L
LSBE20-60-2Z	20
LSBE30-80-2Z	35
LSBE45-120-2Z	55
LXBE20-60-2RS	20
LXBE30-80-2RS	35
LXBE45-120-2RS	55

Rollers for Plate Version

CONCENTRIC ROLLER

RSBLN: Standard bearing steel

RXBLN: Stainless bearing steel (AISI-440C)

ECCENTRIC ROLLER

RSBLA: Standard bearing steel

RXBLA: Stainless bearing steel (AISI-440C)

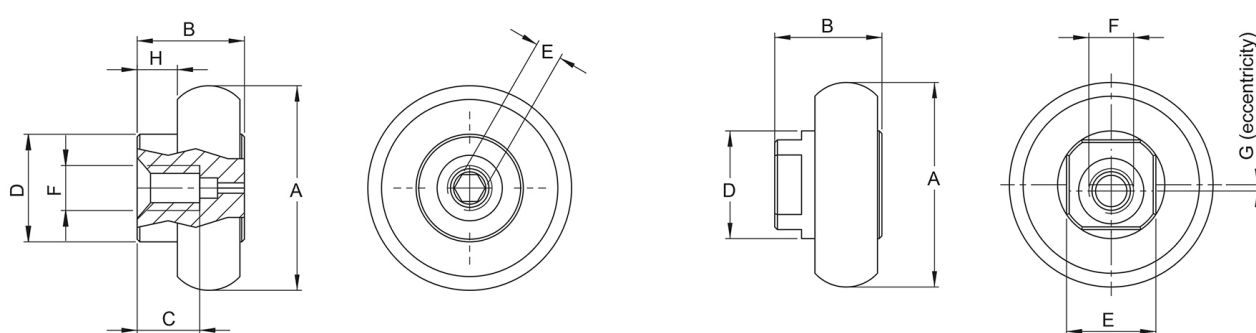
Standard slider is with 3 rollers. The rollers can also be mounted directly into your application or we can make special sliders according to your needs. Please contact Rollco for more information.



General Data

Designation	Weight (kg)
RSBLN20-2Z	0.006
RXBLN20-2RS	0.006
RSBLA20-2Z	0.006
RXBLA20-2RS	0.006
RSBLN30-2Z	0.02
RXBLN30-2RS	0.02
RSBLA30-2Z	0.02
RXBLA30-2RS	0.02
RSBLN45-2Z	0.068
RXBLN45-2RS	0.068
RSBLA45-2Z	0.068
RXBLA45-2RS	0.068

Dimensions



Designation	A	B	C	D	E	F	G	H
RSBLN20-2Z	14	8.2	6	8	2	M4	-	4
RXBLN20-2RS	14	8.2	6	8	2	M4	-	4
RSBLA20-2Z	14	8.2	6	8	6	M4	0.5	4
RXBLA20-2RS	14	8.2	6	8	6	M4	0.5	4
RSBLN30-2Z	22.8	12	7	12	3	M5	-	4.5
RXBLN30-2RS	22.8	12	7	12	3	M5	-	4.5
RSBLA30-2Z	22.8	12	7	12	10	M5	0.7	4.5
RXBLA30-2RS	22.8	12	7	12	10	M5	0.7	4.5
RSBLN45-2Z	35.6	17.3	12	16	3	M6	-	6
RXBLN45-2RS	35.6	17.3	12	16	3	M6	-	6
RSBLA45-2Z	35.6	17.3	12	16	13	M6	0.8	6
RXBLA45-2RS	35.6	17.3	12	16	13	M6	0.8	6

Rollers for Solid Version

CONCENTRIC ROLLER

RSBN: Standard bearing steel

RXBN: Stainless bearing steel (AISI-440C)

ECCENTRIC ROLLER

RSBA: Standard bearing steel

RXBA: Stainless bearing steel (AISI-440C)

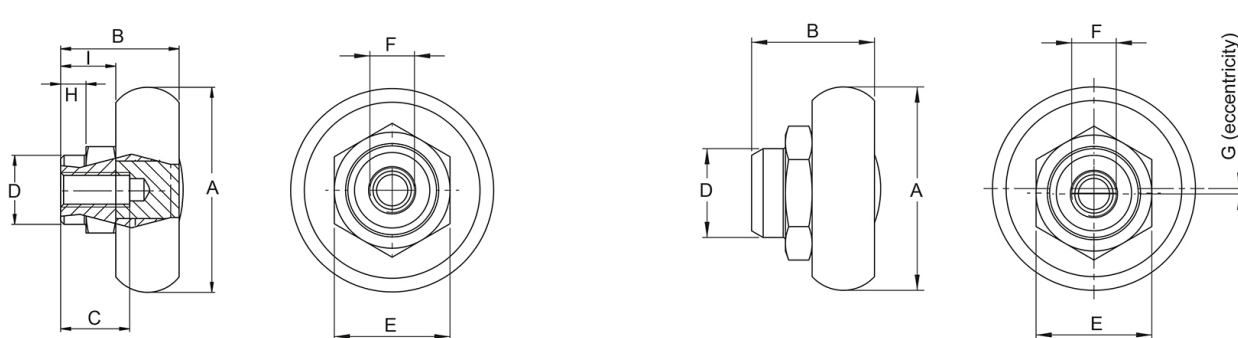
Standard slider is with 3 rollers. The rollers can also be mounted directly into your application or we can make special sliders according to your need. Please contact Rollco for more information.



General Data

Designation	Weight (kg)
RSBN20-2Z	0.006
RXBN20-2RS	0.006
RSBA20-2Z	0.006
RXBA20-2RS	0.006
RSBN30-2Z	0.022
RXBN30-2RS	0.022
RSBA30-2Z	0.022
RXBA30-2RS	0.022
RSBN45-2Z	0.07
RXBN45-2RS	0.07
RSBA45-2Z	0.07
RXBA45-2RS	0.07

Dimensions



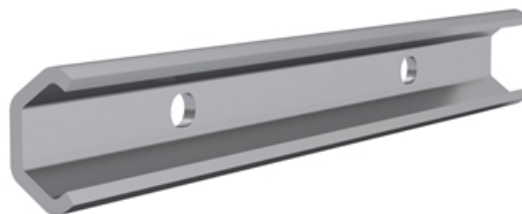
Designation	A	B	C	D	E	F	G	H	I
RSBN20-2Z	14	8.7	6	6	8	M4	-	1.8	4.7
RXBN20-2RS	14	8.7	6	6	8	M4	-	1.8	4.7
RSBA20-2Z	14	8.7	6	6	8	M4	0.5	1.8	4.7
RXBA20-2RS	14	8.7	6	6	8	M4	0.5	1.8	4.7
RSBN30-2Z	22.8	13.8	7	10	13	M5	-	3.8	6.8
RXBN30-2RS	22.8	13.8	7	10	13	M5	-	3.8	6.8
RSBA30-2Z	22.8	13.8	7	10	13	M5	0.6	3.8	6.8
RXBA30-2RS	22.8	13.8	7	10	13	M6	0.6	3.8	6.8
RSBN45-2Z	35.6	20.6	12	12	15	M6	-	4.5	9.6
RXBN45-2RS	35.6	20.6	12	12	15	M6	-	4.5	9.6
RSBA45-2Z	35.6	20.6	12	12	15	M6	0.8	4.5	9.6
RXBA45-2RS	35.6	20.6	12	12	15	M6	0.8	4.5	9.6

Rail

SBTE: Standard zinc plated steel

SXTE: Stainless steel

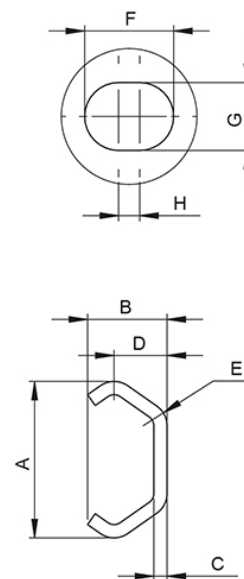
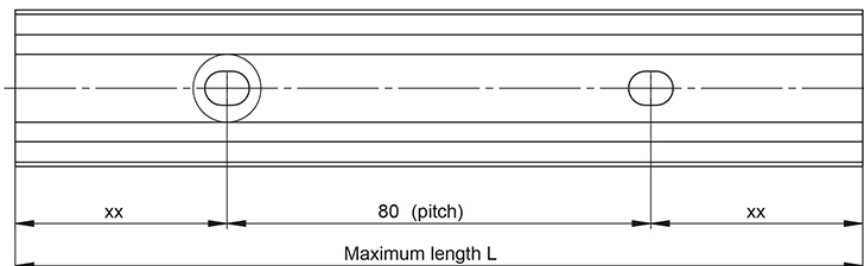
Special lengths are available upon request. Please contact Rollco for more information.



General Data

Designation	Remark	Material	Weight (kg/m)
SXTE20	Fixing screws C20-M4x8	Stainless steel	0.47
SXTE30	Fixing screws C30-M5x10	Stainless steel	0.90
SBTE45	Fixing screws C45-M8x16	Standard zinc plated steel	2.29
SXTE45	Fixing screws C45-M8x16	Stainless steel	2.29

Dimensions



Designation	A	B	C	D	E	F	G	H	L
SXTE20	19.2	10	2	7	3	7	5	2	4000
SXTE30	29.5	15	2.5	10	4.5	8.4	6.4	2	4000
SBTE45	45.7	24.5	4	15.5	6	11	9	2	6080
SXTE45	45.7	24.5	4	15.5	6	11	9	2	6080

Button Head Screw (ISO 7380)

Property class: 10,9



General Data

Designation	Type	Material	Weight (g)
PS1135	M4x8	Zinc plated	1.0
PS1186	M4x8	Stainless steel	1.0
PS1190	M5x10	Zinc plated	2.0
PS1187	M5x10	Stainless steel	2.0
PS1325	M8x16	Zinc plated	7.2
PS1188	M8x16	Stainless steel	7.2

RA Grease

NLGI grade 1.5

Clear grease based on synthetic oils and PTFE. Will fulfil all severe specifications from bearing manufacturers, industrial applications and vehicle producers. Very suitable for use where long service life is required and desired. The specific rheological properties of the lubricant will give very low good flow properties of the grease at extremely low temperatures, at the same time the high film strength and thickness will guarantee lubrication also at elevated temperatures. The type of PTFE used will adhere strongly to all surfaces lubricated and give a very low friction coefficient. The grease is water resistant, withstands oxidation, has very good mechanical stability, is completely non-toxic and provides a very wide application temperature range.

Temperature: -40 to +260 °C (application range)



General Data

Designation	Remark	Colour	Weight (g)
RA Grease NLGI 1.5	Cartridge package	Translucent white	400 g

Adjustment Key

For adjustment of C-Rail sliders.

Please note that adjustment key is always included in the delivery of C-Rail slider.



General Data

Designation	Compatible with
CK20-1	LSBE20, LXBE20
CK28-1	LSBE30, LXBE30, LSWL45, LXWL45
CK43-1	LSBE45, LXBE45
CK18-1	LSWL20, LXWL20
CK30-1	LSWL30, LXWL30